

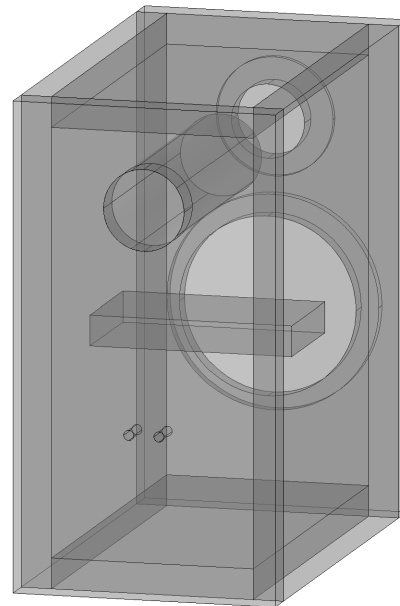
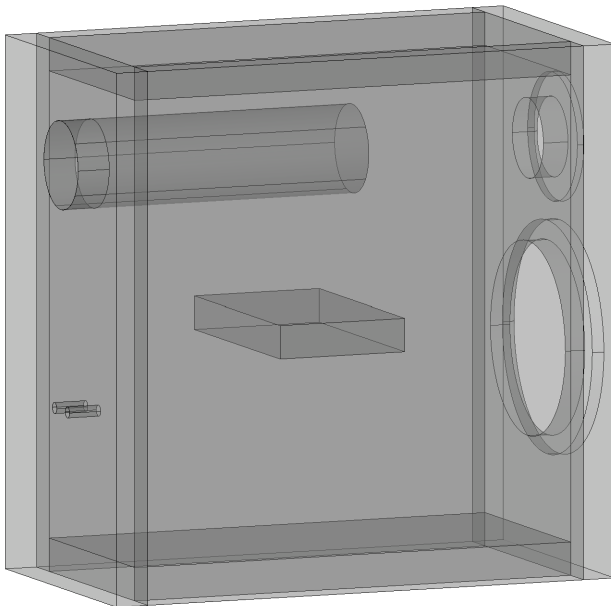
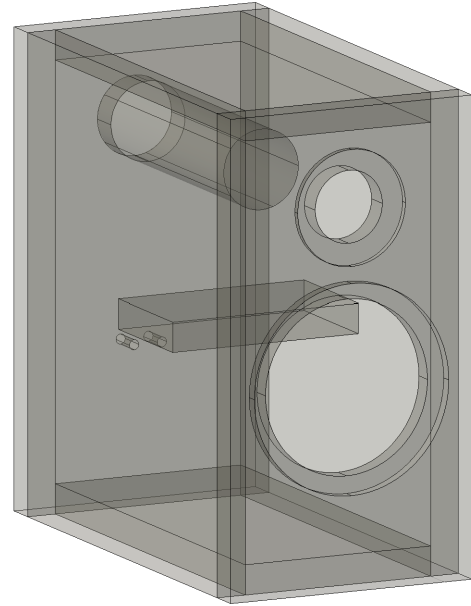
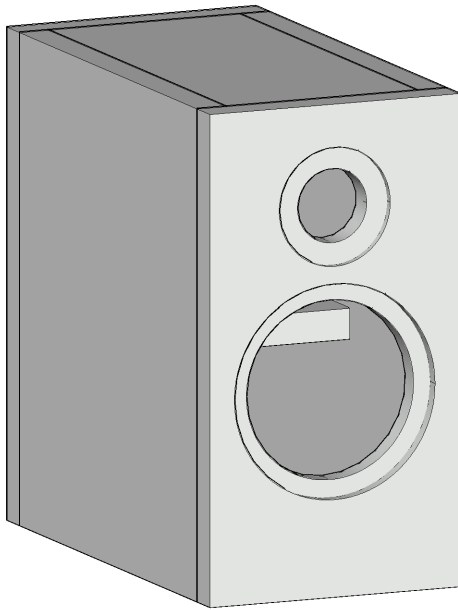


CREATIVE SOUND SOLUTIONS

MODEL P215

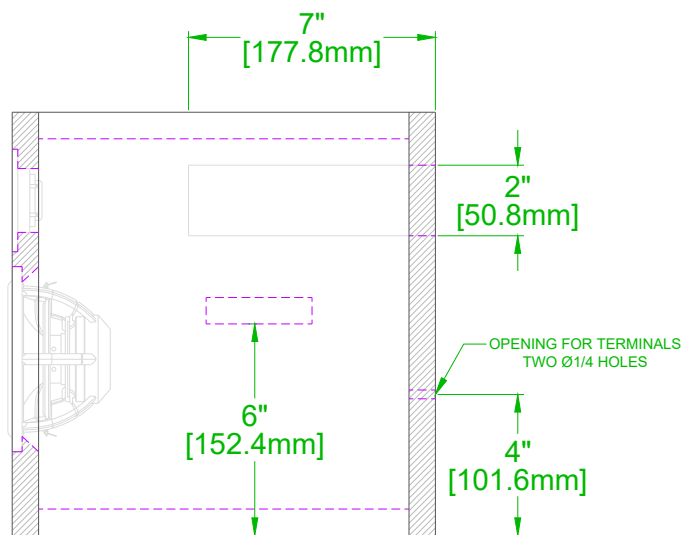
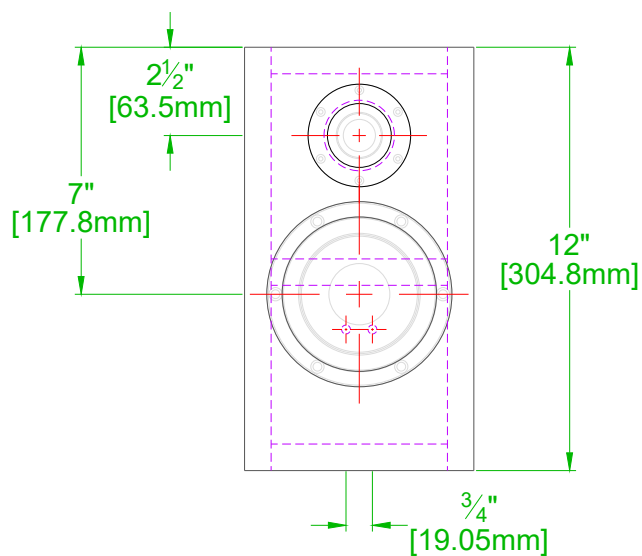
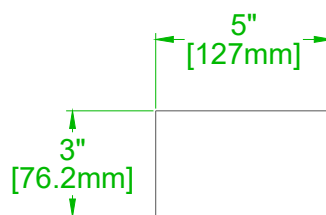
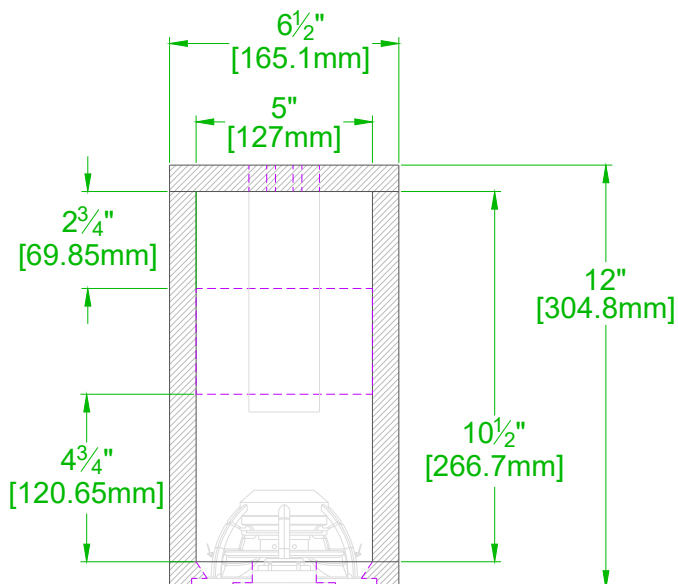
CSS LD22 + SATORI MW13P-8

07 - JANUARY - 2021



CSS MODEL P215 UTILIZES ULTRA LOW DISTORTION DRIVERS
SATORI MW13P-8 MID WOOFER AND LD22 SOFT DOME TWEETER INTEGRATE SEAMLESSLY AT 2.1KHz
FREQUENCY RESPONSE 55Hz - 24KHz +/-3dB

MODEL P215
07-JANUARY-2021
DESIGNED BY D POINSETT/K ARMES | DRAWN BY MM
© 2017-18 CREATIVE SOUND SOLUTIONS, LCC

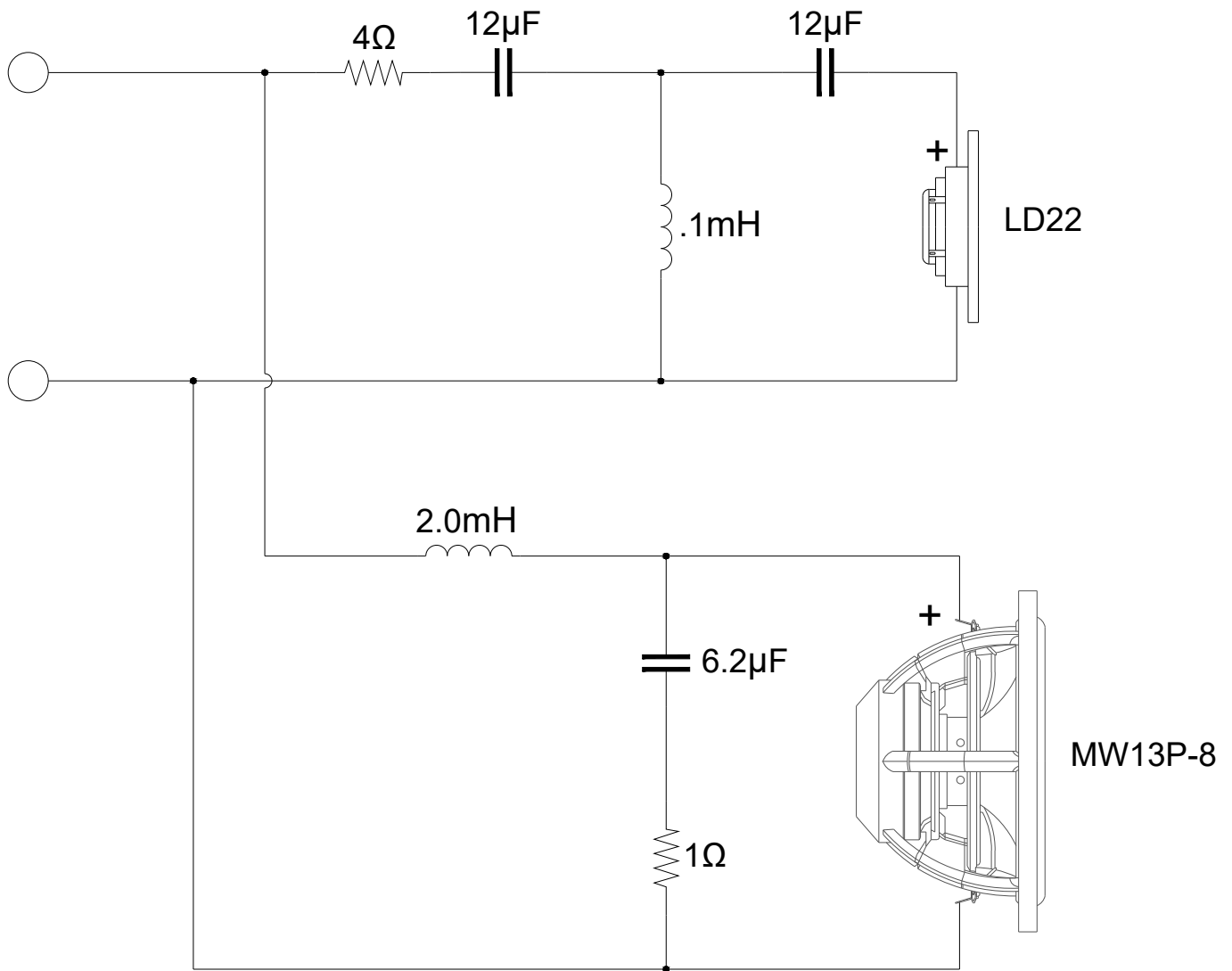


NOTES:

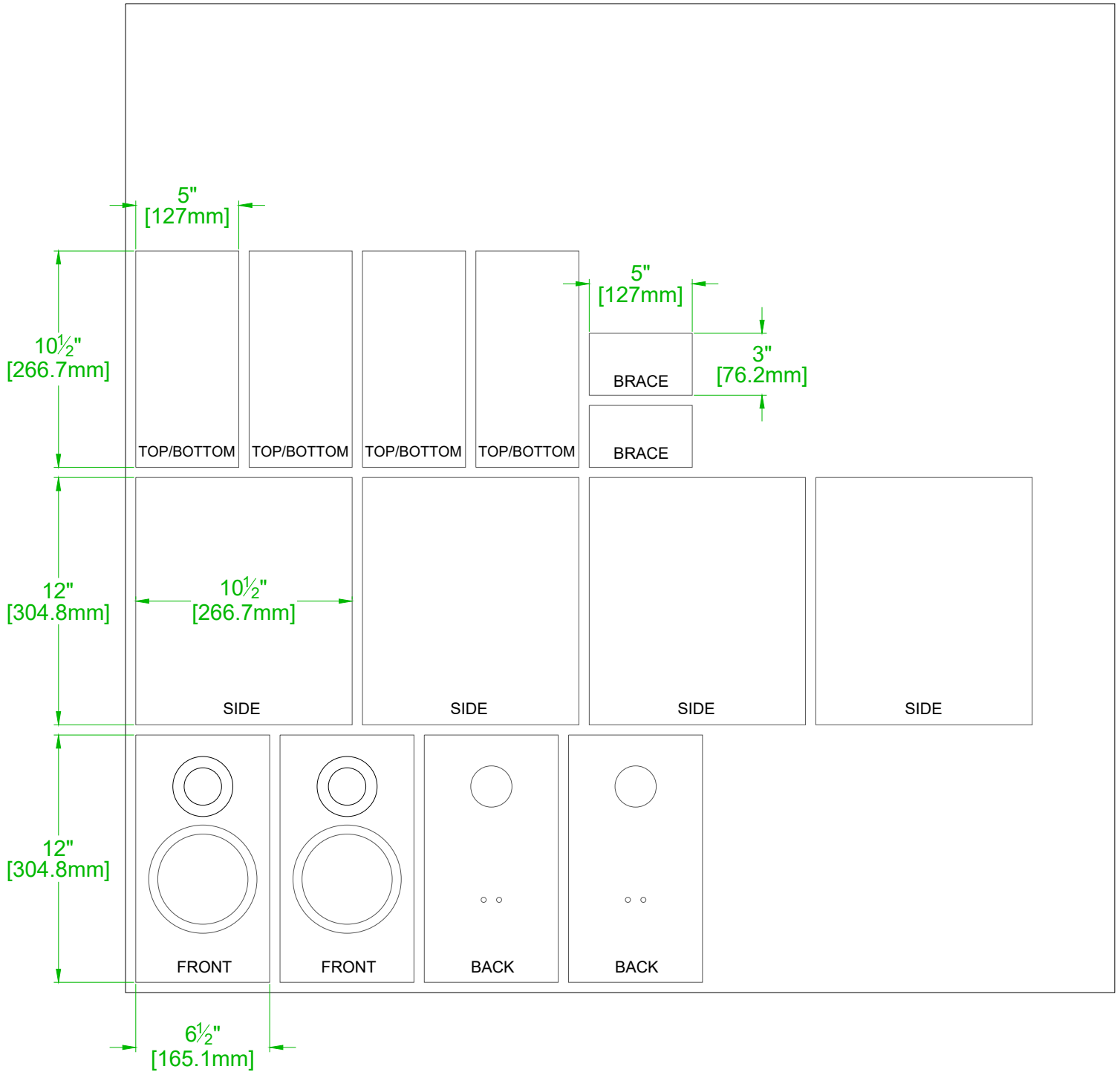
- 1) USES CSS LD22 TWEETER AND SATORI MW13P-8 MIDWOOFER
- 2) DRAWN WITH 1/8" [19.05MM] MATERIAL. QUALITY PLYWOOD OR MDF RECOMMENDED
- 3) LINE WALLS WITH FIBERGLASS, WOOL, OR COTTON FELT
- 4) CHAMFER OR ROUND-OVER THE BACK OF MW13P-8 BAFFLE CUT OUT



MODEL P215 DIMENSIONS
 07-JANUARY-2021
 DESIGNED BY D POINSETT/K ARMES | DRAWN BY MM
 © 2017-18 CREATIVE SOUND SOLUTIONS, LLC



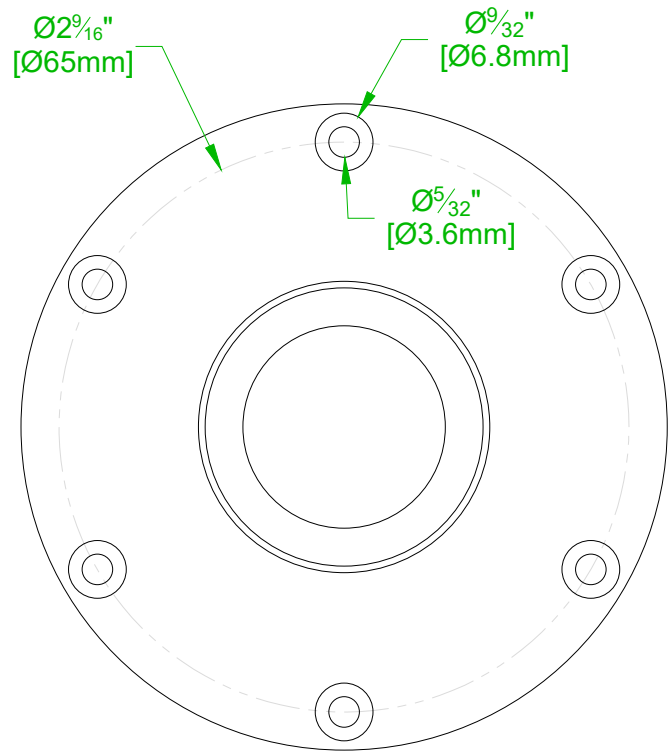
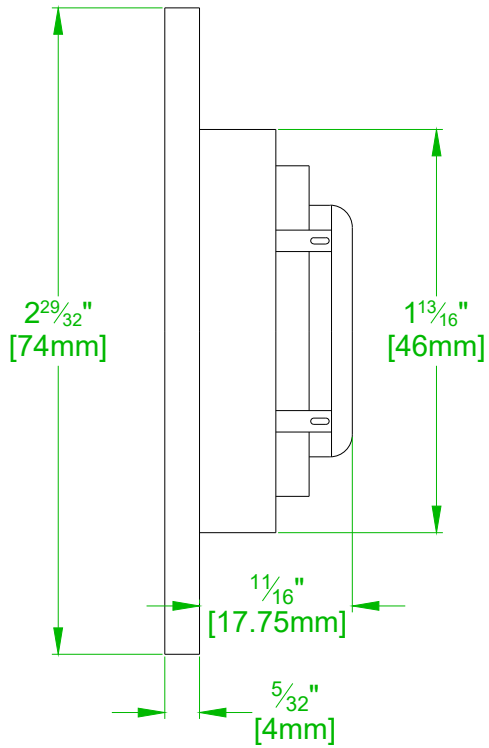
MODEL P215 CROSSOVER
 07-JANUARY-2021
 DESIGNED BY D POINSETT/K ARMES | DRAWN BY MM
 © 2017-18 CREATIVE SOUND SOLUTIONS, LCC



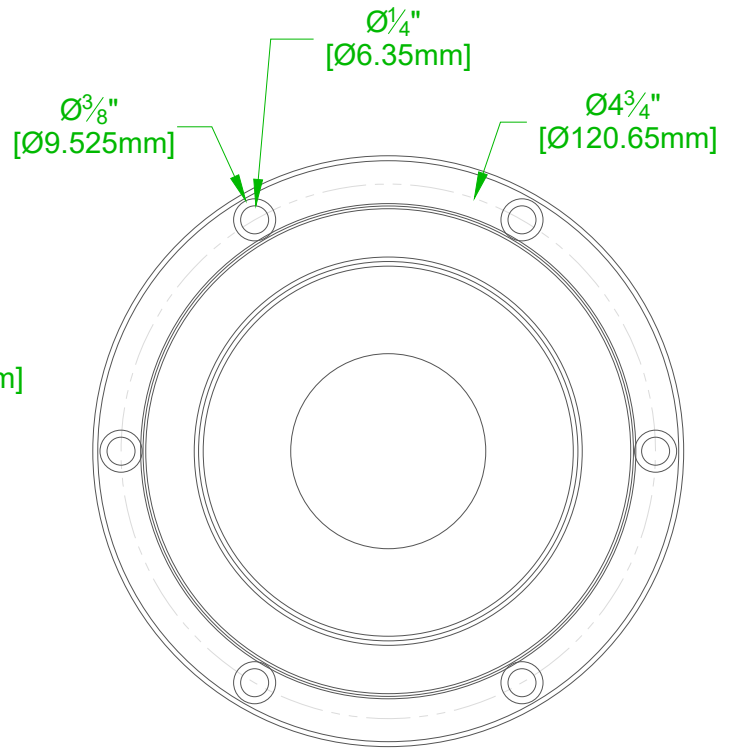
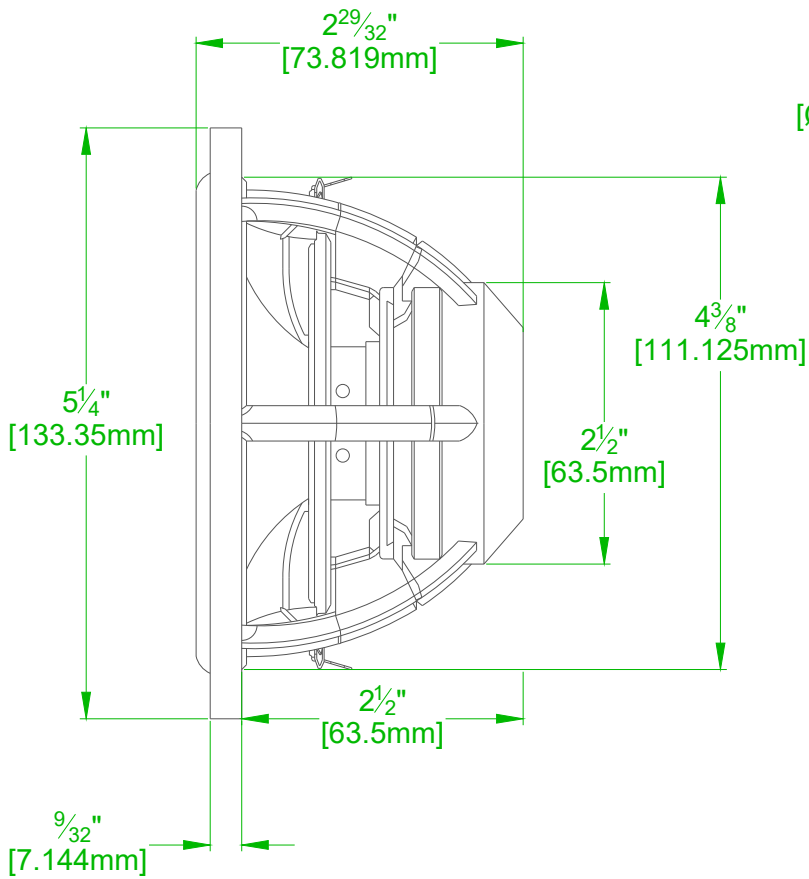
- NOTES:
- 1) 4' X 4' SUGGESTED CUT OUT. 3/4" [19.05MM] QUALITY PLYWOOD OR MDF RECOMMENDED
 - 2) 1/4" [6.4mm] TRIM AND KERF
 - 3) BEFORE CUTTING MEASURE THE ACTUAL MATERIAL'S THICKNESS AND ADJUST PANEL SIZES AS REQUIRED



MODEL P215 SUGGESTED CUT 4' X 4'
 07-JANUARY-2021
 DESIGNED BY D POINSETT/K ARMES | DRAWN BY MM
 © 2017-18 CREATIVE SOUND SOLUTIONS, LCC



CSS LD22 TWEETER DIMENSIONS
 07-JANUARY-2021
 DESIGNED BY D POINSETT/K ARMES | DRAWN BY MM
 © 2017-18 CREATIVE SOUND SOLUTIONS, LCC



SATORI MW13P-8 MIDWOOFER DIMENSIONS
 07-JANUARY-2021
 DESIGNED BY D POINSETT/K ARMES | DRAWN BY MM
 © 2017-18 CREATIVE SOUND SOLUTIONS, LCC